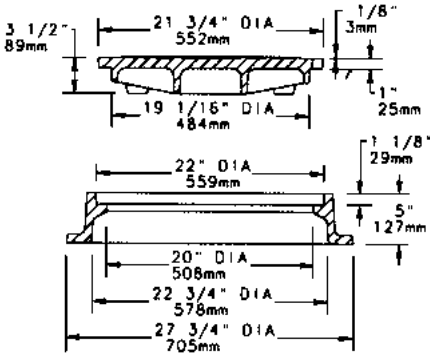




MANHOLE COVERS

1170 Frame and Cover



Heavy Duty
 Fits 24" Sewer Pipe Bell
 All covers and grates illustrated with 1060 series can be furnished with this unit.

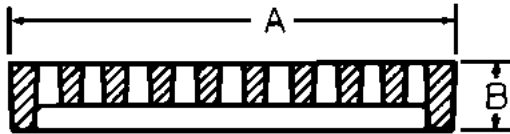
Specify type cover or grate

Options:
 Solid or Vented Covers
 Watertite Assembly
 Adjusting Rings



COVER TYPE		GRATE TYPE			
A Heavy Duty Solid	B 25 Hole	M1 Medium Duty	M2 Heavy Duty	N Oval	01 Beehive
250 lbs (113kg)	250 lbs (113kg)	215 lbs (98kg)	230 lbs (104k)	195 lbs (88kg)	195 lbs (88kg)

6004-6027 Sewer Pipe Grate & Cover



Part No.	A	B	Fits Sewer Pipe	Weight lbs. (kg)	Approx. sq. in.
6004	5-1/2" (140mm)	1-5/8" (41mm)	4" (102mm)	5 lbs. (2kg)	7
6006	8" (203mm)	2-1/8" (54mm)	6" (152mm)	11 lbs. (5kg)	17
6008	10-1/4" (260mm)	2-3/8" (60mm)	8" (203mm)	18 lbs. (8kg)	25
6010	12-1/2" (317mm)	2-1/2" (64mm)	10" (254mm)	28 lbs. (13kg)	43
6012	14-7/8" (378mm)	2-1/2" (64mm)	12" (305mm)	45 lbs. (20kg)	75
6015	18-1/4" (464mm)	2-1/4" (57mm)	15" (381mm)	55 lbs. (25kg)	95
6018	22" (559mm)	2-1/2" (64mm)	18" (457mm)	80 lbs. (36kg)	166
6021	25-3/8" (645mm)	3-1/4" (83mm)	21" (533mm)	100 lbs. (45kg)	237
6024MI	29" (737mm)	3-1/4" (83mm)	24" (610mm)	125 lbs. (57kg)	306
6024M2	29" (737mm)	3-1/4" (83mm)	24" (610mm)	220 lbs. (100kg)	272
6027	32-5/8" (829mm)	3-3/8" (86mm)	27" (686mm)	180 lbs. (82kg)	382

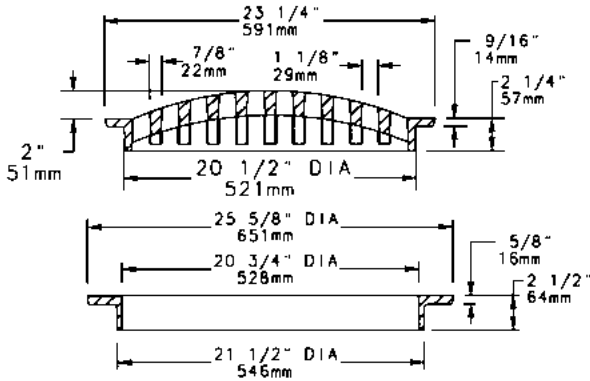
For concrete or clay sewer pipe bells
 See table for assembled weights, dimensions and approximate sq. in. of opening





MANHOLE COVERS

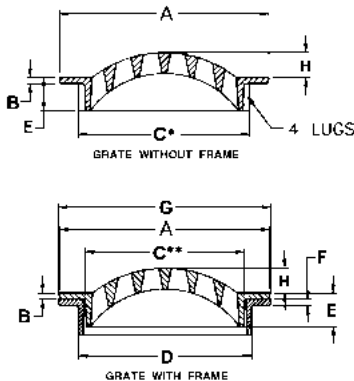
6140 Sewer Pipe Grate & Cover



135 pounds (61kg) total weight
Fits 18" sewer pipe bell
Approx. 150 sq. in. of opening



6104-6124 Sewer Pipe Grates & Covers



For concrete, clay, or plastic pipe & corrugated pipe
Frame not furnished unless specified



*Dimension when grate only is furnished.

**Dimension when Frame & Grate Assembly is furnished

Table of Assembled Weights and Dimensions

Part No.	DIM. A	DIM. B	DIM. C*	DIM. C**	DIM. D	DIM. E	DIM. F	DIM. G	DIM. H	Fits Sewer Pipe Size	Wts. (lbs.) Grate	Wts. Frame and Grate	Approx. Sq. In. Opening
6104-N	7-3/4"	5/16"	5-1/2"	—	—	1-1/4"	—	—	1"	4"	6 lbs.	—	13
6106-N	10"	3/8"	8"	—	—	1-5/8"	—	—	1-1/2"	6"	10 lbs.	—	19
6108-N	12-1/2"	3/8"	10-1/4"	9-1/2"	10-1/4"	2"	3/8"	12-3/4"	1-1/2"	8"	20 lbs.	30 lbs.	28
6110-N	15-1/4"	1/2"	12-1/2"	11-3/4"	13"	2"	1/2"	15-1/4"	2"	10"	35 lbs.	50 lbs.	47
6112-N	18-1/4"	1/2"	14-7/8"	13-7/8"	14-7/8"	1-1/2"	1/2"	18"	2"	12"	40 lbs.	60 lbs.	74
6112-O	18-1/4"	1/2"	14-7/8"	13-7/8"	14-7/8"	1-1/2"	1/2"	18"	6"	12"	45 lbs.	65 lbs.	68
6115-N	20-1/4"	5/8"	18-1/4"	17-1/4"	18-1/4"	1-1/2"	1/2"	22"	2-1/2"	15"	50 lbs.	80 lbs.	123
6118-N	25"	5/8"	21-1/2"	20-1/2"	21-1/2"	2-1/2"	5/8"	25-5/8"	3-3/8"	18"	100 lbs.	140 lbs.	164
6121-N	27-1/2"	3/4"	25-1/2"	23-1/2"	25-1/2"	2-1/2"	5/8"	30"	3-3/4"	21"	135 lbs.	210 lbs.	160
6124-N	34"	5/8"	29"	27-1/2"	28-7/8"	2"	5/8"	34"	2-3/4"	24"	185 lbs.	265 lbs.	214
6124-O	34"	5/8"	29"	27-1/2"	28-7/8"	2-1/2"	5/8"	34"	6"	24"	185 lbs.	265 lbs.	270