

Babbitt CHAINWHEELS
STEAM SPECIALTY CO.

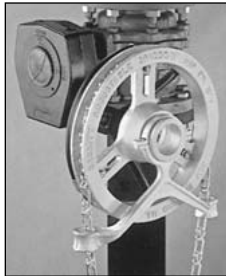
It's the versatility to provide added safety in every application.

BABBITT SAFETY WHEEL

The Babbitt Safety Wheel was designed in response to the increased need for improved plant safety. Each configuration of our product was developed as a better way to meet a specific customer's need. That's why there's a Babbitt chainwheel that goes beyond the traditional requirements for every application. Babbitt has manufactured quality chainwheels to operate valves in hard-to-reach locations for nearly a century.

Chainwheels are available in a solid hub design for direct attachment to a valve or gear box stem. Standard chainwheels have high grade cast iron rims and malleable iron guide arms. All chainwheels except solid hubs are furnished complete with standard plated carbon steel to 304 stainless steel attachment sets. Hammer-Blow units to operate high pressure valves are provided in ductile iron. Babbitt recommends use of hot dipped galvanized 304 stainless steel or spark resistant brass lock-link chain.

Tell us about your needs. We'll recommend the optimum chainwheel combination for your plant and operating environment. Construction materials may include corrosion resistant, bronze, ductile iron, aluminum, galvanized or special metals you specify. Every product is engineered for long-term reliability. Babbitt also offers the flexibility of meeting your particular delivery requirements and of bar-coding for easy warehousing. Babbitt is known the world over as the source for safe, reliable valve actuation.



Aluminum Chainwheel shown with gear box.



Epoxy-coated Chainwheel.



Hammer-Blow ductile iron chainwheel.



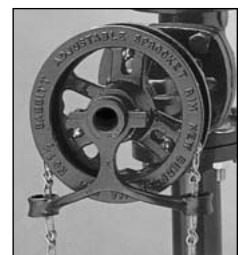
Pocketwheel for use with welded chain.



Bronze Chainwheel for Marine use.



Galvanized Chainwheel.



Chainwheel coated with "Teflon"*.
* Registered trademark for fluoropolymer resins, films, and fibers made by Du Pont.



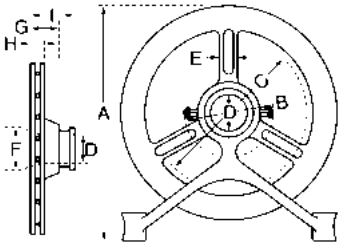
Rust-proof, lock-link chain standard on all chainwheels



Solid Hub Direct Mount Hammer-Blow Chainwheel

Babbitt CHAINWHEELS
STEAM SPECIALTY CO.

Technical Data



SELECTION OF CHAIN OPERATORS

| VALVE HANDWHEEL OUTSIDE DIAMETER RANGE, OUTSIDE IN (CM) | CHAIN OPERATOR NUMBER | WHEEL RIM OUTSIDE DIAMETER IN (CM) | USES CHAIN TRADE SIZE | WGHT/100FT LBS (KG) |
|---|-----------------------|------------------------------------|-----------------------|---------------------|
| 2 to 4 (5,1-10,2) | 0 | 4 (10,2) | 2 | 10 (4,5) |
| 4-1/4 to 5-3/4 (10,8-14,6) | 1 | 5-3/4 (14,6) | 1/0 | 17-1/2 (7,9) |
| 6 to 7-1/2 (15,2-19,1) | 1-1/2 | 7-1/2 (19,1) | 1/0 | 17-1/2 (7,9) |
| 7-3/4 to 9 (19,7-22,9) | 2 | 9 (22,9) | 1/0 | 17-1/2 (7,9) |
| 9-1/4 to 12-1/2 (23,5-31,8) | 2-1/2 | 12 (30,5) | 4/0 | 30 (13,6) |
| 12-3/4 to 15-1/2 (32,4-39,4) | 3 | 15-1/2 (39,4) | 4/0 | 30 (13,6) |
| 15-3/4 to 19 (40,0-48,3) | 3-1/2 | 18-1/2 (46,9) | 4/0 | 30 (13,6) |
| 19-1/4 to 22 (48,9-55,9) | 4 | 21-1/2 (54,6) | 5/0 | 35 (15,9) |
| 22-1/4 to 26 (56,5-66,0) | 4-1/2 | 25-3/4 (65,4) | 5/0 | 35 (15,9) |
| 26-1/4 to 30 (66,7-76,2) | 5 | 30 (76,2) | 5/0 | 35 (15,9) |
| 30 to 36 (76,2-91,4) | 5** | 30 (76,2) | 5/0 | 35 (15,9) |

CHAINWHEEL DIMENSIONS

| WHEEL SIZE # | 0 | 1 | 1-1/2 | 2 | 2-1/2 | 3 | 3-1/2 | 4 | 4-1/2 | 5 |
|--------------------------------|---------------|---------------|---------------|----------------|----------------|----------------|----------------|----------------|----------------|----------------|
| A—Overall Height in (CM)* | 4-5/8 (11,75) | 6-3/8 (16,19) | 7-3/4 (19,69) | 10-1/2 (26,67) | 12-1/2 (31,75) | 15-1/2 (39,37) | 18-1/2 (46,99) | 21-1/2 (54,61) | 25-3/4 (65,41) | 30-1/4 (76,84) |
| B—Inner Bolt Circle | 1-1/2 (3,81) | 2-1/2 (6,35) | 3-1/2 (8,89) | 4-1/2 (11,43) | 5-1/2 (13,77) | 8-1/2 (21,59) | 11-1/2 (29,21) | 11-1/2 (29,21) | 14-1/2 (36,83) | 18-3/4 (47,63) |
| C—Outer Bolt Circle | 1-7/8 (4,76) | 3-1/2 (8,89) | 5 (12,7) | 6-5/8 (16,83) | 9-1/4 (23,50) | 12-3/8 (31,43) | 15-1/2 (39,37) | 17-3/4 (45,08) | 21-1/4 (53,98) | 25-1/4 (65,14) |
| D—Hub Opening (DIAM) | 1/2 (1,27) | 7/8 (2,22) | 1 (2,54) | 2-1/8 (5,34) | 2-1/8 (5,34) | 2-1/8 (5,34) | 3 (7,62) | 3 (7,62) | 3 (7,62) | 3 (7,62) |
| E—Slot Size (WIDTH) | 1-5/16 (7,94) | 3/8 (9,525) | 3/8 (9,525) | 3/8 (9,525) | 7/16 (11,116) | 7/16 (11,116) | 7/16 (11,116) | 5/8 (15,875) | 5/8 (15,875) | 5/8 (15,875) |
| F—Rear Opening | 3/4 (1,91) | 1-1/2 (3,81) | 1-7/8 (4,763) | 3-1/8 (7,94) | 3-1/2 (8,89) | 3-1/2 (8,89) | 4-7/8 (12,38) | 4-7/8 (12,39) | 4-5/8 (11,75) | 4-3/4 (12,07) |
| G—Hub Depth (SHOULDER TO REAR) | 1-1/8 (2,86) | 1-1/2 (3,81) | 1-7/16 (3,65) | 1-3/8 (3,49) | 1-3/4 (4,45) | 1-7/8 (4,76) | 1-7/8 (4,76) | 1-7/8 (4,76) | 1-7/8 (4,76) | 2 (5,08) |
| H—Rim Thickness | 7/8 (2,22) | 1-1/8 (2,86) | 1-1/8 (2,86) | 1-1/8 (2,86) | 1-1/4 (3,18) | 1-1/4 (3,18) | 1-1/4 (3,18) | 1-1/2 (3,81) | 1-1/2 (3,81) | 1-1/2 (3,81) |
| I—Overall Depth | 1-3/4 (4,45) | 2-1/4 (5,72) | 2-3/8 (6,03) | 2-3/8 (6,03) | 2-5/8 (6,67) | 2-5/8 (6,67) | 3-1/8 (7,94) | 3-1/8 (7,94) | 3-1/8 (7,94) | 3-1/8 (7,94) |

* All dimension are in "IN (CM)"

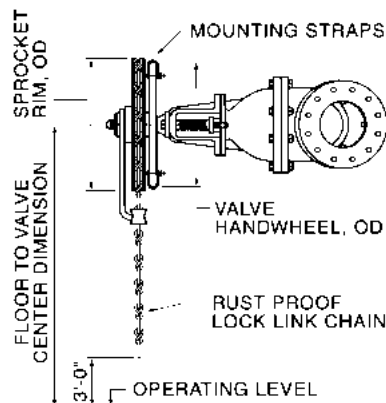
** Special attachment clamps for 5 wheel will accommodate up to 36" valve handwheel.

HAMMER-BLOW SPECIFICATIONS

| SIZE # | WEIGHT COMBINED ASSEMBLY LBS (KG) | DIAMETER OF VALVE WHEELS ASSEMBLY WILL FIT IN (CM) |
|----------------|-----------------------------------|--|
| 2 [†] | 14 (6,4) | 7-3/4 to 9 (19,7-22,9) |
| 2-1/2 | 21 (9,5) | 9-1/4 to 12 1/2 (23,5-31,8) |
| 3 | 31 (14,1) | 12-3/4 to 15 1/2 (32,4-39,4) |
| 3-1/2 | 43 (19,5) | 15-3/4 to 19 (40,0-48,3) |
| 4 | 58 (26,3) | 19-1/4 to 22 (48,9-55,9) |
| 4-1/2 | 70 (31,7) | 22-1/4 to 26 (56,5-66,0) |
| 5 | 118 (53,5) | 26-1/4 to 30 (66,7-76,2) |
| 5 [†] | 118 (53,5) | 30 to 36 (76,2-91,4) |

[†] 2 available with attachment plate to accommodate 6"-7-1/2" handwheel diameters.

[†] Special attachment clamps for 5 wheel will accommodate up to 36" valve handwheel.



TYPICAL SPECIFICATIONS:

Approved chainwheel operations shall be as manufactured by Babbitt Steam Speciality Co. and shall include chainwheel and chain guide for ___ inch diameter valve handwheel. Chainwheel shall be made of (cast iron/ductile iron/aluminum/bronze). Rim shall contain as an integral part of the casting a groove into which the chain guide attaches. Chain guides shall be made of (malleable iron/aluminum/bronze). Chainwheels shall be adjustable and detachable, furnished complete with (steel/stainless steel) attachment sets for attachment of chainwheel to valve handwheels. Units shall be coated with (black enamel, galvanizing, "Teflon"**, epoxy or _____) to meet manufacturer's specifications.

Operators shall also be furnished with ___ feet of rustproof, lock-link, (hot dipped galvanized/spark-resistant brass/stainless steel) chain. Ductile iron units (shall be/shall not be) Babbitt "Hammer-blow" configuration. Chainwheel operators (shall be/shall not be) Safety Wheel configuration.

* Registered trademark for fluoropolymer resins, films and fibers made by Du Pont.